

LASER[®]

Cooling System Vacuum Refill Kit – EV/Hybrid/ICE

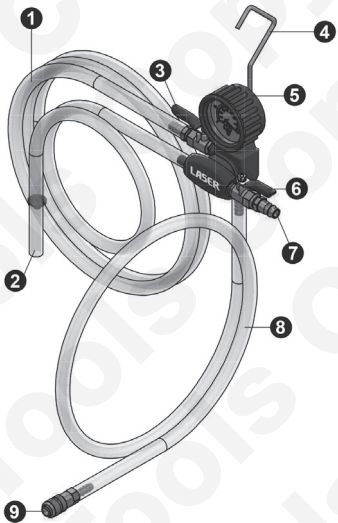
Instructions



Introduction

- Vacuum-type coolant refill tool has large internal passages to allow coolant to be refilled fast.
- Provided with adaptors for various battery electric, plug-in hybrid, and conventional internal combustion engine car models.
- Tool is designed with only two valves – easy to use, intuitive design.
- Tool with a hook that can be hung under the bonnet.
- Tool needs to work with an air compressor to create a vacuum in the cooling system.

Specifications



Ref.	Description	
1	Coolant suction hose	1,500 mm / 4.9 ft
2	Drain hose	600 mm / 2 ft
3	Coolant valve	
4	Hook	
5	Gauge	-1 - 0 bar / -76 - 0 cmHg
6	Air valve	
7	Air compressor connector	
8	Coolant refill hose	700 mm / 2.3 ft
9	Hose connector to adaptors	

Other tools required but not included



Air compressor



Container with premixed coolant at adequate volume.



27



28



M3/MY



MS/MX



MG/EV



R

Instructions



CAUTION



- Always read the instructions carefully before using the tool.
- This tool set is designed for changing automotive coolant only.
- Ensure the working area has adequate lighting.
- Keep children and unauthorised persons away from the working area.
- Keep working area clean and tidy, dry and free from unrelated materials.
- DO NOT allow untrained persons to use this tool kit.
- Always wear eye protection that meets OSHA and ANSI Z87.1 standards.
- Always wear gloves when working with the tool.
- Always wear ear protection.
- Disposal: Customers should follow local regulations to handle used/waste parts.

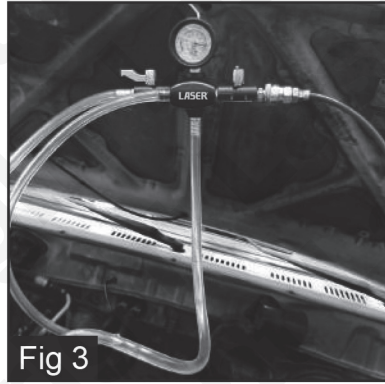
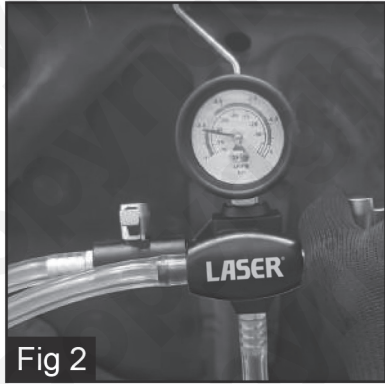
Installation

1. Jack up the car and drain old coolant.
2. After draining the coolant, lower the car.
3. Hang the tool under the bonnet.
4. Connect a suitable adaptor to the radiator filler neck (Fig 1), and connect the coolant refill hose to the adaptor.
5. Put the coolant suction hose in the premixed coolant, and ensure it remains submerged under the surface the whole time.
6. Make sure all valves are closed and connect to air compressor.



Fig 1

Instruction



7. Open the air valve and vacuum can be created (Fig 2).
8. When no more vacuum can be created, turn off the air valve.
9. Open the coolant valve, and the coolant will be introduced to the cooling system automatically (Fig 3).
10. Verify the coolant level, connect the original cap. Fast refill and no air bleeding.

Applications

The application is for reference only. More vehicle applications are possible. Some car models may have multiple suitable adapters due to variations in body style (e.g. sedan, hatchback, or cabriolet), engine size and capacity (e.g. 1.6L, 1.8L, 2.4L), and engine numbers.

MAKE	MODEL	YEAR	ADAPTER	REMARKS
Alfa Romeo	145	1996-2001	R	
Alfa Romeo	146	1994-2001	R	
Alfa Romeo	147	2001-2010	R	
Alfa Romeo	156	1997-2006	R	
Alfa Romeo	164	1987-1998	R	
Alfa Romeo	166	1998-2007	R	
Alfa Romeo	Giulietta	2010-2020	R	
Alfa Romeo	GT	2003-2010	R	
Alfa Romeo	GTV	1994-2005	R	
Alfa Romeo	MiTo	2008-2018	R	
Alfa Romeo	Spider	1994-2005	R	
Alfa Romeo	Tonale	2022-2024	28	
Chrysler	Pacifica	2017-2024	28	
Chrysler	Voyager	2020-2024	28	
Citroen	Berlingo	2008-2024	R	

MAKE	MODEL	YEAR	ADAPTER	REMARKS
Citroen	C-Elysée	2012-2021	R	
Citroen	C1	2005-2024	R	
Citroen	C2	2003-2009	R	
Citroen	C3	2002-2024	R	
Citroen	C3 Aircross	2017-2024	R	
Citroen	C3 Picasso	2009-2024	R	
Citroen	C4	2005-2024	R	
Citroen	C4 Cactus	2014-2024	R	
Citroen	C4 Picasso	2006-2022	R	
Citroen	C5	2001-2024	R	
Citroen	C5 Aircross	2017-2024	R	
Citroen	C5 X	2021-2024	R	
Citroen	C6	2005-2012	R	
Citroen	C8	2002-2024	R	
Citroen	Dispatch	1995-2006	R	
Citroen	Dispatch	1996-2024	R	
Citroen	Jumper	1993-2024	R	
Citroen	Nemo	2008-2024	R	
Citroen	Relay	2006-2024	R	
Citroen	Synergie	1994-2002	R	
Citroen	Xsara Picasso	1999-2012	R	
Fiat	500	2007-2024	R	Fiat 500 Europe
Fiat	500 C	2009-2024	R	
Fiat	500e	2020-2024	28	BEV
Fiat	500L	2014-2020	R	
Fiat	Brava	1996-2002	R	
Fiat	Bravo	2007-2014	R	
Fiat	Doblo	2001-2024	R	
Fiat	Fiorino	2007-2024	R	
Fiat	Grande Punto	2005-2013	R	
Fiat	Idea	2004-2024	R	
Fiat	Linea	2007-2024	R	
Fiat	Marea	1996-2003	R	
Fiat	Multipia	1999-2010	R	
Fiat	Palio	1996-2023	R	
Fiat	Panda	2003-2024	R	
Fiat	Punto	1999-2012	R	
Fiat	Punto Evo	2009-2012	R	
Fiat	Qubo	2008-2024	R	
Fiat	Scudo	2002-2024	R	
Fiat	Seicento / 600	1998-2009	R	
Fiat	Siena	1998-2012	R	
Fiat	Stilo	2001-2008	R	
Fiat	Strada	1999-2024	R	
Fiat	Ulysse	1994-2011	R	
Ford	KA	2008-2016	R	
Infiniti	Q30	2015-2019	R	1.5 dCi
Infiniti	Q70	2013-2019	R	3.5 Hybrid
Jeep	Avenger	2023-2024	R	

MAKE	MODEL	YEAR	ADAPTER	REMARKS
Jeep	Grand Cherokee	2016-2024	28	
Jeep	Wrangler	2018-2024	28	
Land Rover	Defender	1990-2016	R	
Land Rover	Freelander	1998-2006	R	
Maserati	4200 GT	2001-2007	R	
Maserati	Ghibli	2013-2024	R	
Maserati	Gran Turismo	2007-2019	R	
Maserati	Grancabrio	2010-2019	R	
Maserati	Levante	2016-2024	R	
Maserati	Quattroporte	2004-2012	R	
Maserati	Quattroporte	2013-2024	R	
Mercedes-Benz	Citan W415	2012-2024	R	
MG	4 EV	2022-2024	27	
MG	GS	2016-2019	27	
MG	HS	2018-2024	27	
MG	HS PHEV	2020-2024	27	
MG	HS PHEV	2020-2024	MG / EV	
MG	MG3	2011-2024	27	
MG	MG5	2020-2024	27	
MG	MG6	2010-2024	27	
MG	MG6	2018-2024	27	
MG	MG7	2023-2024	27	
MG	RX5	2016-2024	27	
MG	ZS	2017-2024	27	
MG	ZS EV	2020-2024	27	
MG	ZS EV	2020-2024	MG / EV	
Mini	Convertible	2004-2008	R	R52
Mini	Hatchback	2001-2006	R	R50, R53
Nissan	Ariya	2023-2024	R	BEV
Nissan	e-NV200	2013-2021	R	BEV
Nissan	Interstar	2002-2006	R	
Nissan	Juke	2010-2024	R	Nissan Europe
Nissan	Kicks	2018-2022	R	
Nissan	Kubistar	2003-2024	R	
Nissan	Micra	2003-2022	R	
Nissan	Note	2004-2024	R	
Nissan	Primastar	2001-2021	R	
Nissan	Pulsar	2014-2023	R	
Nissan	Qashqai	2006-2023	R	
Nissan	Rogue Sport	2019-2024	R	
Nissan	Sentra	2020-2024	R	
Nissan	Versa	2019-2024	R	
Nissan	X-Trail	2014-2024	R	
Opel	Arena	1997-2001	R	1.9 D, 2.5 D
Opel	Astra	2021-2024	R	
Opel	Combo	2012-2018	R	
Opel	Combo	2019-2024	R	
Opel	Corsa	2019-2024	R	Including Corsa-e
Opel	Crossland	2017-2024	R	

MAKE	MODEL	YEAR	ADAPTER	REMARKS
Opel	Grandland	2017-2024	R	
Opel	Insignia	2017-2021	R	
Opel	Meriva	2003-2010	R	
Opel	Movano	1997-2021	R	
Opel	Vivaro	1999-2024	R	BEV
Opel	Vivaro-e	2020-2024	R	
Peugeot	106	1996-2003	R	
Peugeot	107	2005-2014	R	
Peugeot	108	2014-2024	R	
Peugeot	206	1998-2012	R	
Peugeot	207	2006-2014	R	
Peugeot	208	2012-2024	R	Including e-208
Peugeot	301	2012-2024	R	
Peugeot	307	2001-2013	R	
Peugeot	308	2013-2024	R	Including e-308
Peugeot	407	2003-2010	R	
Peugeot	408	2022-2023	R	
Peugeot	508	2010-2023	R	
Peugeot	607	1999-2010	R	
Peugeot	807	2002-2024	R	
Peugeot	1007	2004-2009	R	
Peugeot	2008	2013-2024	R	
Peugeot	3008	2008-2024	R	
Peugeot	5008	2009-2024	R	
Peugeot	Boxer	1993-2024	R	
Peugeot	Expert	1999-2024	R	
Peugeot	Partner	2008-2024	R	
Peugeot	RCZ	2009-2015	R	
Peugeot	Rifter	2018-2024	R	
Peugeot	806	1994-2002	R	
RAM	1500	2019-2024	28	3.6L Hybrid, 6.2L
RAM	2500	2016-2016	R	3.6L; 3.0L Diesel
RAM	ProMaster	2014-2018	R	All variants
RAM	ProMaster City	2015-2024	R	
Renault	Arkana	2019-2024	R	
Renault	Avantime	2001-2003	R	
Renault	Captur	2013-2024	R	
Renault	Clio	1990-2024	R	
Renault	Espace	1991-2024	R	
Renault	Fluence	2010-2020	R	
Renault	Kadjar	2015-2021	R	
Renault	Kangoo	1997-2024	R	
Renault	Koleos	2008-2024	R	
Renault	Laguna	1993-2015	R	
Renault	Latitude	2010-2015	R	
Renault	Master	1997-2024	R	
Renault	Megane	1995-2024	R	
Renault	Modus	2004-2014	R	
Renault	Safrane	1996-2000	R	

MAKE	MODEL	YEAR	ADAPTER	REMARKS
Renault	Scenic	1997-2022	R	
Renault	Talisman	2015-2022	R	
Renault	Thalia	2008-2021	R	
Renault	Trafic	2001-2024	R	
Renault	Twingo	1993-2023	R	
Renault	Vel Satis	2002-2010	R	
Renault	Wind	2010-2024	R	
Renault	Zoe	2012-2024	R	Electric
Suzuki	Grand Vitara	2005-2015	R	1.9 DDiS
Suzuki	Jimny	1998-2018	R	1.5 DDiS
Tesla	Model 3	2017-2024	M3 & MY	BEV
Tesla	Model S	2012-2024	MS & MX	BEV
Tesla	Model X	2015-2024	MS & MX	BEV
Tesla	Model Y	2020-2024	M3 & MY	BEV
Toyota	Aygo	2005-2014	R	
Toyota	ProAce	2016-2024	R	Diesel & Electric
Volvo	C70	1996-2005	R	
Volvo	S40	2000-2004	R	
Volvo	S60	2001-2010	R	
Volvo	S70	1998-2000	R	
Volvo	S80	1999-2006	R	
Volvo	V40	2000-2004	R	
Volvo	V70	1998-2007	R	
Volvo	XC90	2003-2015	R	

Our products are designed to be used correctly and with care for the purpose for which they are intended. No liability is accepted by the Tool Connection for incorrect use of any of our products, and the Tool Connection cannot be held responsible for any damage to personnel, property or equipment when using the tools. Incorrect use will also invalidate the warranty.

If applicable, the applications database and any instructional information provided has been designed to offer general guidance for a particular tool's use and while all attention is given to the accuracy of the data no project should be attempted without referring first to the manufacturer's technical documentation (workshop or instruction manual) or the use of a recognised authority such as Autodata.

It is our policy to continually improve our products and thus we reserve the right to alter specifications and components without prior notice. It is the responsibility of the user to ensure the suitability of the tools and information prior to their use.



Safety First. Be Protected.



When you have finished with this bottle please recycle it

www.lasertools.co.uk

9116_Instructions_V1

Guarantee



Distributed by The Tool Connection Ltd
 Kineton Road, Southam, Warwickshire CV47 0DR
 T +44 (0) 1926 815000 F +44 (0) 1926 815888
 info@toolconnection.co.uk www.toolconnection.co.uk

If this product fails through faulty materials or workmanship, contact our service department direct on: +44 (0) 1926 818186. Normal wear and tear are excluded as are consumable items and abuse.

www.lasertools.co.uk